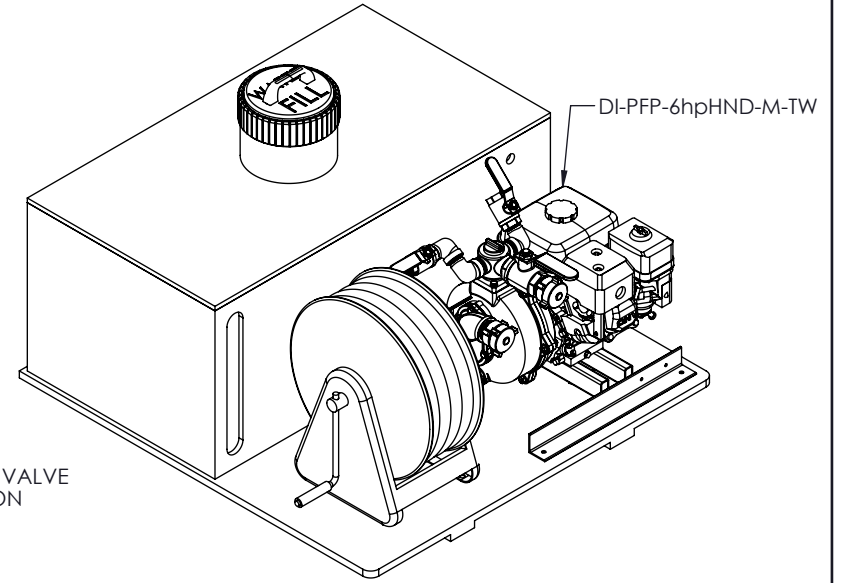
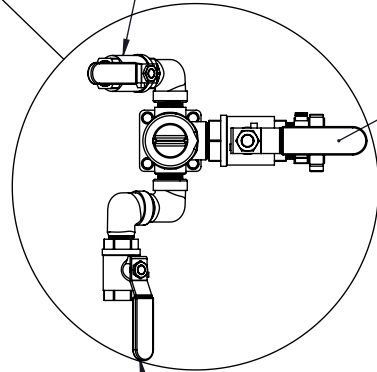


MANUAL REEL
3/4" x 100' BOOSTER HOSE
W/ FORESTRY NOZZLE

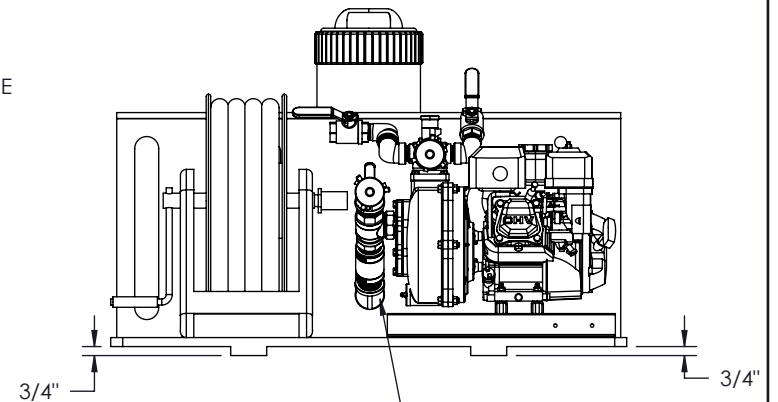
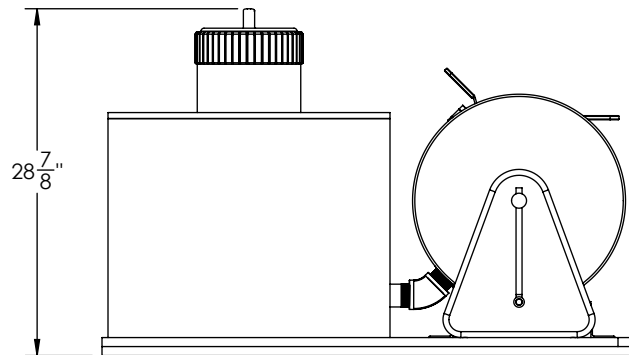


1" INDUSTRIAL VALVE
RECIRCULATION

1-1/2" INDUSTRIAL VALVE
W/ CAP & CHAIN
SERVICE LINE



1" INDUSTRIAL VALVE
HOSE REEL



SUCTION
1-1/2" INDUSTRIAL VALVE
W/ CAP & CHAIN



nqa.
ISO 9001
Registered
Quality
Management

CREATED
BY: M.V.
DATE: 13/12/17
VERIFIED
BY: M.V.
DATE: 13/12/17

TITLE : C.E.T. ECONO PAC
65 U.S. GAL. WATER - U.S. GAL. F.C.
No: DP-ECONO PAC-0701C

DEFENDER
I

APPROXIMATE
WET WEIGHT
Lbs

WARNING

THIS DOCUMENT REMAINS THE PROPERTY
OF C.E.T. FIRE PUMPS MFG.
ALL REPRODUCTION WITHOUT WRITTEN
AGREEMENT FROM C.E.T. FIRE PUMPS MFG
IS TOTALLY PROHIBITED.