

INSTRUCTIONS

▲ Keep this sheet for your records.



Sure Seal™ Drip Torch

No. 85022

Sure-Seal Classic Drip Torch

No. 85066

Sure-Seal Red OSHA Drip Torch

Complies with OSHA regulations (29 CFR 1910.114). Also meets USDA Forest Service Spec 5100-614A.



PRODUCT SUPPORT

800-430-5566

If you need more information or some expert advice from an experienced professional, call our Product Support team.

SALES

P 800-647-5368

F 800-543-4203

Our sales department will gladly take your order, update you on pricing, or fax an order form.

ONLINE

www.forestry-suppliers.com



205 West Rankin Street
Jackson, MS 39201



CAUTION

Backfiring equipment should be used by trained, experienced personnel only. Precautions should be taken to prevent danger to yourself and others. A means of escape should always be located before setting fires where rapid spread may prove hazardous to yourself or others. All petroleum products should be handled with the same precautions as when working with gasoline. Keep torch in good working condition, make sure all connections are tight, inspect on a regular basis and replace any damaged parts with original replacement parts only.

Instructions for use

1. Always consult your agency's policy for authorized fuel mixtures based on your burning conditions.

Common diesel-to-gasoline ratios are 3:1, 4:1, and 5:1.

Explosive vapors may be released from these mixtures. Handle mixtures accordingly.

DO NOT USE STRAIGHT GASOLINE!

2. Prepare for use by removing the locking and spout and fill the tank with 5 quarts of fuel. Wipe off any spillage on the tank surface or handle.
 - Remove the discharge spout sealing plug and screw it into the blind threaded socket.
 - Place the spout assembly on the gasket in the mouth of the tank with the spout exposed, and screw the locking down hand tight (8 ft. lbs.). Never operate torch without the gasket because it could cause some fuel to leak onto the outside tank and handle surfaces.
 - Unscrew the breather valve counterclockwise just enough to

open, tip the torch forward, and let fuel trickle onto the igniter.

- Light igniter. The torch is now ready to be used.

Tank should not be opened or filled near an open flame, hot coals, sparks or while smoking. Tank may contain dangerous vapors!

3. To operate, hold the torch to your side pointing the igniter away from your body.
 - Gradually tilt the torch forward until the fuel pours over the burning igniter casting a flame along the path you are travelling.
 - To ignite hard to reach areas, snap your wrist upward in order to throw the fire greater distances. (If no flame carries with discharged fuel, reduce the flashpoint of fuel by increasing the gasoline proportion of the mixture.)

Be aware of the direction of flame travel when personnel are nearby!

4. Prior to storage, stand the drip torch upright until the igniter burns out and cools off.
 - After the igniter cools, remove the locking, return the spout to the inside of the tank and replace the locking securely to 8 ft. lbs..
 - Unscrew the discharge sealing plug from the blind threaded socket and hand tighten (2 in. lbs.) to the spout opening.
 - Turn the air breather valve clockwise until hand tight (2 in. lbs.).

STORAGE

It is recommended to store your drip torch empty of all fuel during long periods or off-season. This will prevent sediments from accumulating in the tank.

REPLACEMENT PARTS

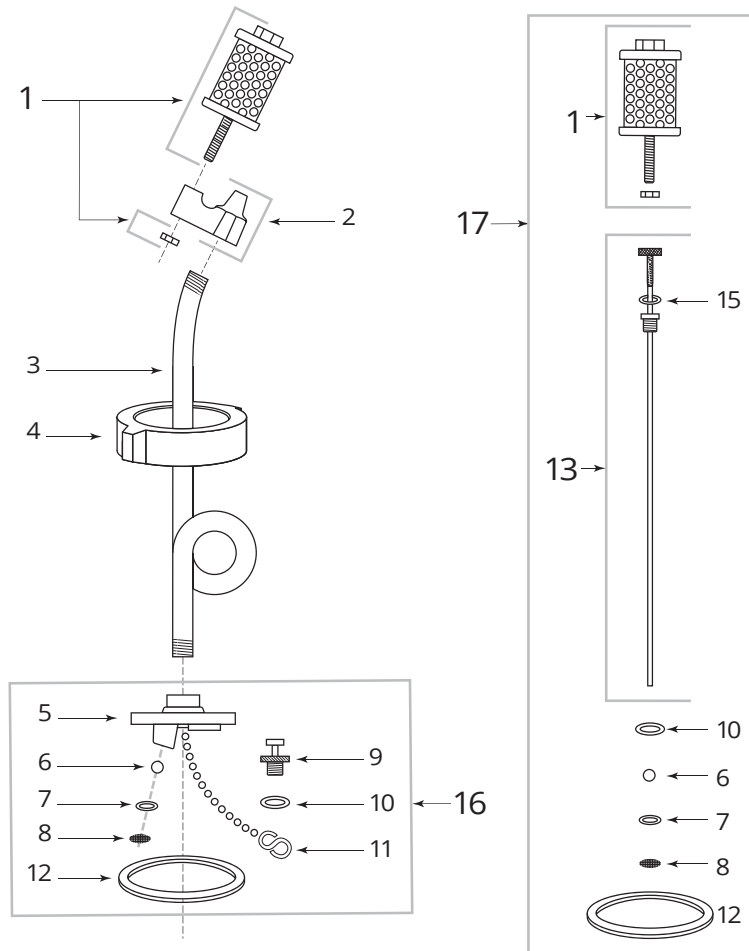


Fig.	Description	No.
1	Igniter Assembly	85064
2	Nozzle/Igniter Mount	85063
3	Spout with Fuel Trap	85059
4	Lock Ring	85061
5	Tank Cover	85053
6	Check Valve Ball	85054
7	Check Valve Seat	85055
8	Check Valve Screen	85056
9	Discharge Plug	85057

Fig.	Description	No.
10	O-Ring for Discharge Plug	85065
11	Discharge Plug Chain Assembly with Screw	85058
12	Tank Collar Gasket	85060
13	Breather Valve Assembly	85062
15	Breather Valve O-Ring	85086
16	Tank Cover Assembly (Includes parts 5 through 12)	85067
17	Repair Kit (Includes parts 1, 6, 7, 8, 10, 12 and 13)	85087